

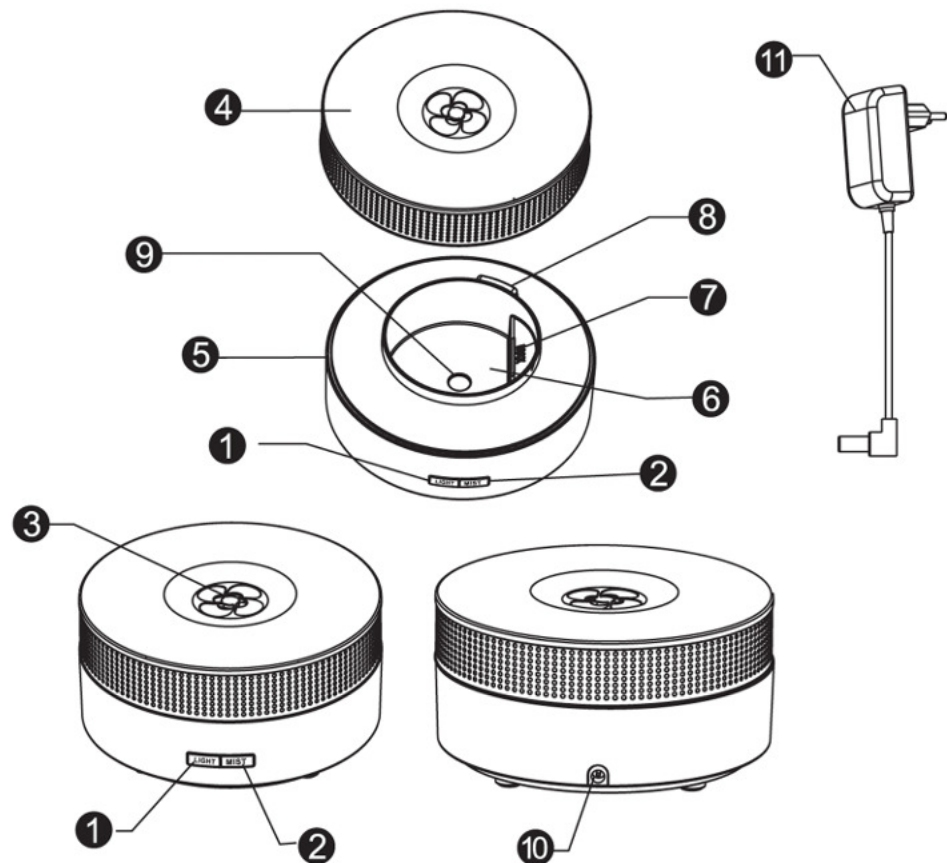
The quality of this unit should ensure your trouble-free use with long-lasting, healthy humidification.

INCLUDED

- Main Unit
- UL approved AC Adapter

NAMES OF PARTS

- 1 Light Button
- 2 Mist Button
- 3 Mist Outlet
- 4 Top Cover
- 5 Main Body
- 6 Water Tank
- 7 Max Fill Line
- 8 Air Outlet
- 9 Ceramic Disc
- 10 DC Plug
- 11 Adapter



OPERATING INSTRUCTIONS

Please follow these instructions for proper function and maintenance:

1. Remove top cover from the Unit.
2. Fill the water tank with cool tap or bottled water to the max fill line.
Add a few drops of your choice of essential oil for aromatherapy if desired.
The unit will automatically turn off after 3 or 6 hours depending on the mist mode selected.
3. Place the top cover of unit securely onto the main body.
4. Plug the adapter into the unit's DC plug first.
Then plug the other end of the adapter into a power outlet.

5. Mist button:
Press once, the unit mists continuously for 3 hours.
Press a 2nd time, the unit mists intermittently for 6 hours (on/off every 15 seconds).
Press a 3rd time, the mist is turned off.
6. Light button:
Press once to turn the LED lights on in color-changing mode.
Press a 2nd time to pause the rotation on any selected color.
Press a 3rd time to turn the light off.
7. The unit will stop emitting mist when the water is depleted.
Unplug unit and add more water.
8. A few drops of fragrant essential oil may be added directly to the water for aromatherapy.
9. Unplug the unit when not in use.

CAUTION:

- **Do not operate without water.**
- **Avoid any spillage of water by keeping the unit upright at all times. Make sure the water tank is emptied when unit is not in use. Pour water out from side of machine. Do not pour from the air outlet.**
- **Normal misting will occur only when there is sufficient amount of water in the tank.**
- **Note that misting creates humidification. Do not place the unit on any surface that may become damaged by water. Should any spillage occur, please wipe up immediately.**
- **Unplug unit when not in use.**

CARE & MAINTENANCE

1. Always unplug the adapter from any device before performing maintenance. First unplug from the wall outlet. Then unplug the DC end.
2. When not in use, empty the water and dry with a soft cloth to avoid mineral buildup.
3. To remove possible buildup, gently use a cotton swab dipped in rubbing alcohol or white vinegar to wipe out the inside.
Note: The vibration plate should not come in contact with any hard or sharp objects.
See further cleaning details at www.sparoom.com
4. For frequent use, change water daily.
5. Do not use any liquid solvents to clean the electronic components as they may damage the unit.
6. If the unit begins to overheat, it will automatically turn off. If this happens, unplug the unit from the wall. Plug back in to restart after it has cooled down.
7. For questions or replacement parts, visit www.sparoom.com or call 216.831.1900.

Go to www.sparoom.com for information about our product warranty policy.

